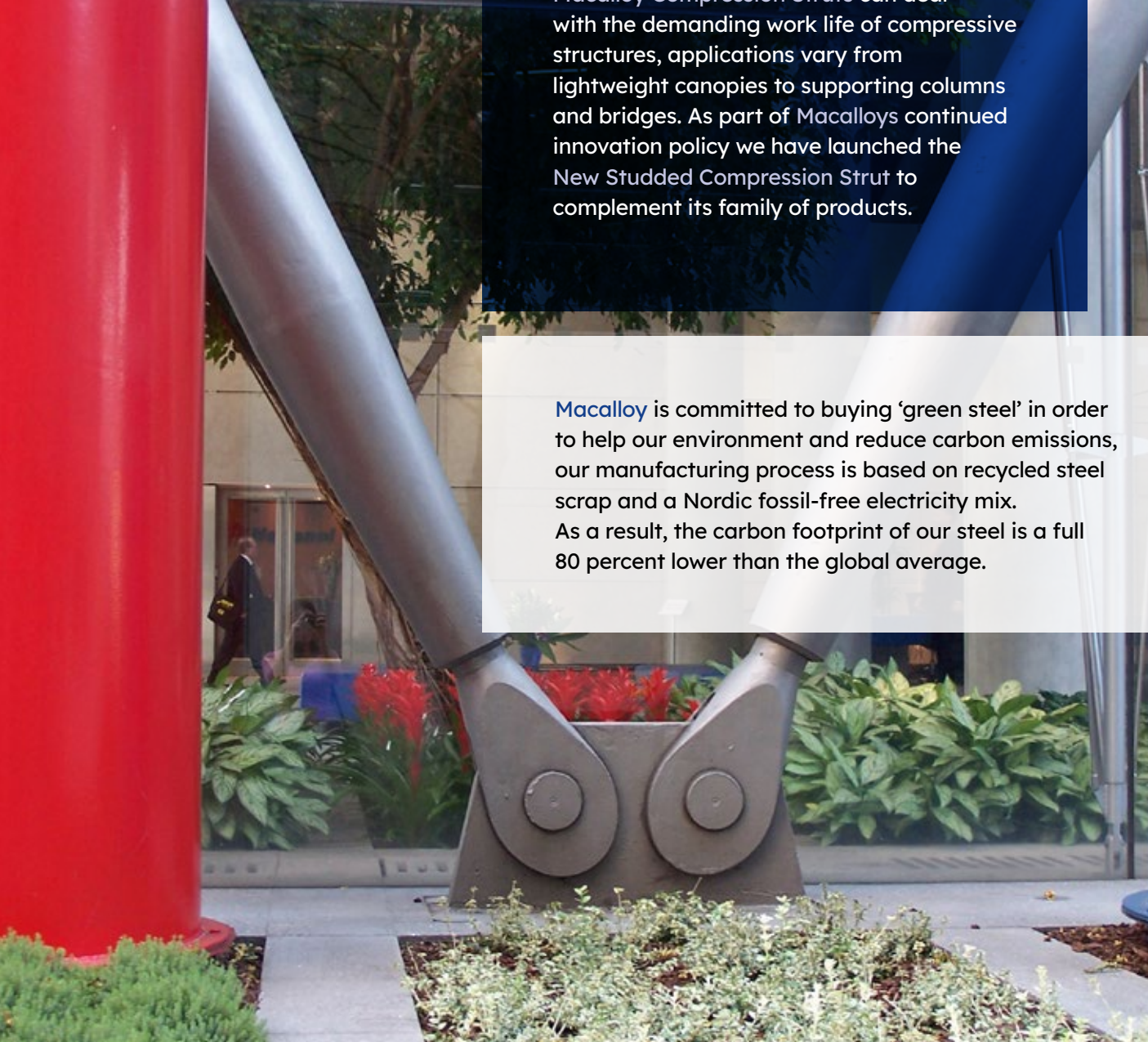


# Compression Struts

Part of Macalloy's range of Adjustable Structural Products

Over the years MACALLOY has supported engineers in providing custom solutions to suit static and loaded applications.

---



Macalloy Compression Struts can deal with the demanding work life of compressive structures, applications vary from lightweight canopies to supporting columns and bridges. As part of Macalloy's continued innovation policy we have launched the New Studded Compression Strut to complement its family of products.

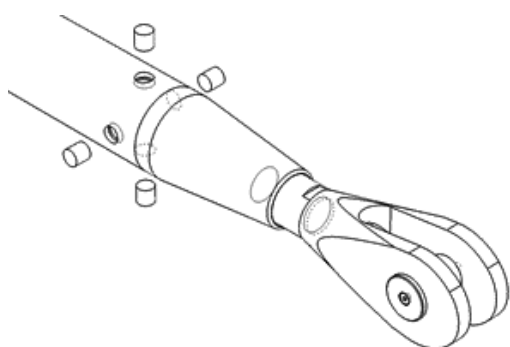
Macalloy is committed to buying 'green steel' in order to help our environment and reduce carbon emissions, our manufacturing process is based on recycled steel scrap and a Nordic fossil-free electricity mix. As a result, the carbon footprint of our steel is a full 80 percent lower than the global average.

## Benefits of the Macalloy Compression Struts

- Macalloy Compression Struts incorporate the “trademark” Macalloy architectural carbon steel and stainless steel fork connector which is widely renowned throughout the industry.
- The Macalloy Compression Strut product range incorporates two adjustable solutions, a Welded Compression Strut and the New Studded solution both of which are designed to be used in conjunction with the Macalloy Tension Structure range of tension bars, cables and connection solutions.
- All Compression Struts are available in carbon steel and stainless steel and all STRUTS provide adjustment up to 100mm to accommodate on site tolerances. Tube sizes vary from 33.7mm up to 323.9mm for M10-M100 forks. If you require loading tables and dimensions please consult the data sheet on our website at [macalloy.com](http://macalloy.com).
- All Compression Struts conform to EN1090 and each strut is provided with the CE mark of conformance up to Execution class 3. All struts are manufactured in accordance with MACALLOYS ETA - 21/0053.
- All Compression Struts are available in a range of coatings ranging from intumescent fire protection to hot dipped zinc galvanised. They can also be primed, painted or powder coated in a range of RAL colours.
- Macalloy can provide a range of “Non Standard” Compression Struts to take account of individual customer requirements - please communicate your requirements to the engineering team at [Macalloy](http://Macalloy).

## New Studded Compression Strut

- The New Studded Compression Strut offers the same features as the Welded alternative in terms of adjustment loading and performance.
- The New Studded Compression Strut offers a value engineered alternative is not welded.
- The New Studded Compression Strut is quicker to manufacture and better suited to on-site working.
- The New Studded Compression Strut is available in a range of coatings from intumescent fire protection to hot dipped zinc galvanised. It can be primed, painted or powder coated in a range of RAL colours. It is also available in stainless steel with a range of polished finishes.
- See loading tables and dimension tables on our website at [macalloy.com](http://macalloy.com).



Above - Detail of the New Macalloy Studded Compression Strut.



The **INDEPENDENT TOWER** is a residential skyscraper in **AUSTIN, TEXAS**. At a height of 690 ft, it is the tallest building in the city. Completed in 2019 and often referred to as the **JENGA TOWER** because of its unusual design, the tower consists of luxury apartments featuring this unique combination of custom compression struts and tension bars as part of the internal decoration.

**88 WOOD STREET** in the heart of London's financial district is a commercial skyscraper designed by **RICHARD RODGERS**. Constructed in 2001 this 18 storey building has M100 compression struts situated in the atrium to form part of the facades supporting columns.



**LACHLANS BRIDGE** is an award winning pedestrian and cycle bridge in **SYDNEY, AUSTRALIA**. Completed in 2020 and designed by **ARUP AUSTRALIA** this unique helix shaped bridge features M76 and M90 Duplex stainless compression struts with special Inconel 718 pins and spherical bearings to meet potential misalignment in the structure.



ETA - 21/0053 Tension Rod Systems  
BSEN ISO 9001: 2015



For further information call +44 (0)1909 519200  
email [sales@macalloy.com](mailto:sales@macalloy.com) or visit [macalloy.com](http://macalloy.com)

Caxton Way, Dinnington, Sheffield, S25 3QE, U.K.